

Olight

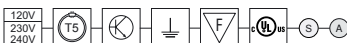
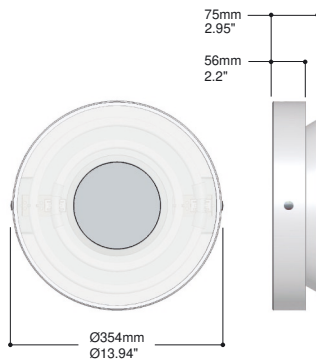
Atomis B.V.
Jadelaan 33
2132 XX Hoofddorp
The Netherlands

T + 31 (0)23 554 09 20
F + 31 (0)23 554 09 20
E info@atomis.nl
W www.atomis.nl



Olight wall mounted luminaire is a direct/indirect ring shaped luminaire suitable for circular T5 fluorescent lamps. The reflector is made of matt anodized aluminium and the lamp housing is made of silver painted aluminium. An acrylic panel covering the lamps provides a decorative diffuse illumination. The reflector on the rear side is partly open creating a decorative back lit illumination on the wall behind the luminaire. Decorative colour effects can be obtained using a blue, red or amber colour sheet. A direct reflector panel set can be used completely closing the reflector behind the lamps.

Olight-W T5 Circline				
code	W	lamp(s)	base	lm
39.265	22W	FC22W	2GX13	1800
39.270	40W	FC40W	2GX13	3200
39.275	55W	FC55W	2GX13	4200
39.280	22W+40W	FC22W+FC40W	2GX13	5000



- ▷ including integral electronic ballast
- ▷ lamps covered by an acrylic opal diffuser
- ▷ colour filters available
- ▷ dimmable versions available (single lamp versions only)