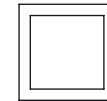
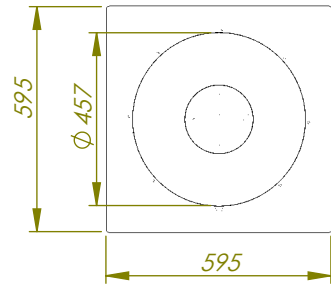
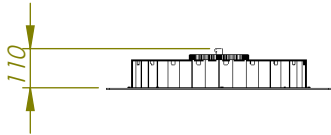


## Installation Instructions for:

Fusion-M 600x600 round opal  
Art nr. : 19.X-8X00-MR600x600S



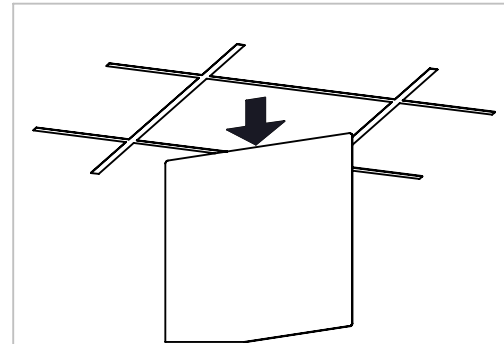
### Max dimensions:



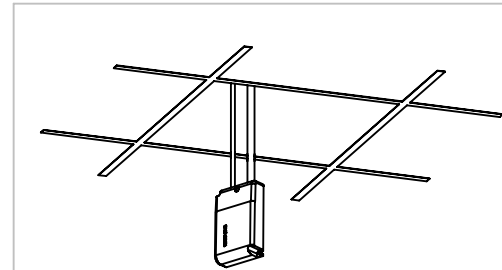
Approximately 200mm (7.9") minimum space around the luminaire is required to ensure optimal performance and long LED life cycle

### Warnings

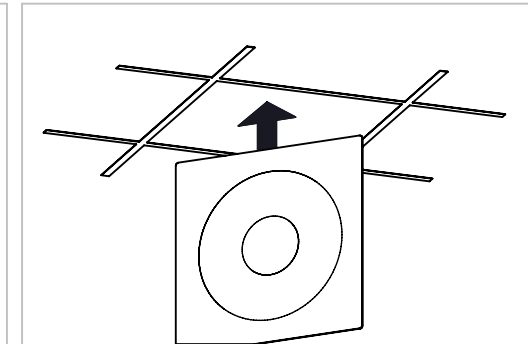
- Delicate luminaire: handle with care.
- Luminaires may only be installed by an authorized specialist.
- Installation must always be performed according to instructions of the manufacturer and national regulations.
- Instruction for electric connections can be found on control gear.
- Be aware of the maximum dimensions between luminaires.
- When connecting be aware of the type of IP protection, this is only valid for the luminaire underneath the ceiling.
- This is a class II luminaire!
- Make sure that during installation the main power is always disconnected or switched off!



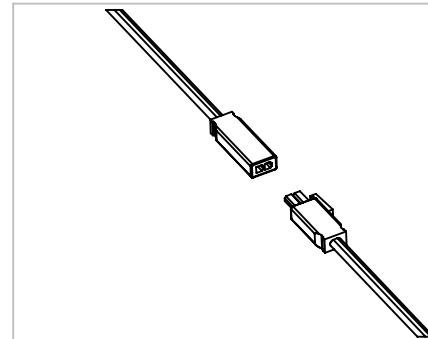
1. Remove ceiling panel on the wanted position of the luminaire.



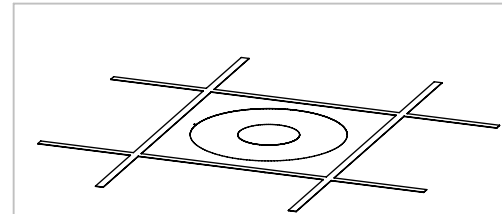
2. Place electronics onto the ceiling.



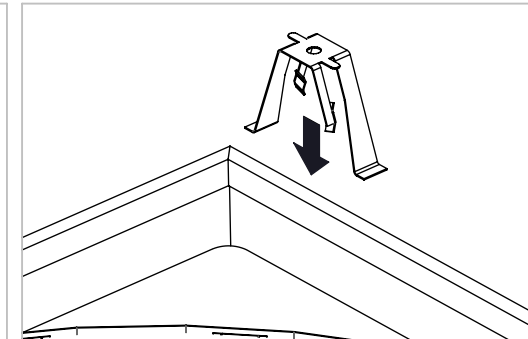
3. Mount luminaire into the ceiling. Beware of scratches on the panel!



4. Connect plug between luminaire and control gear before connecting to mains!



5. Position luminaire correctly, turn power on and test luminaire functionality.



6. Apply hold-down clips in each corner above the ceiling to fixate luminaire.

**Warning: Do not touch or clean optical part and LED of luminaire**

