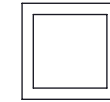
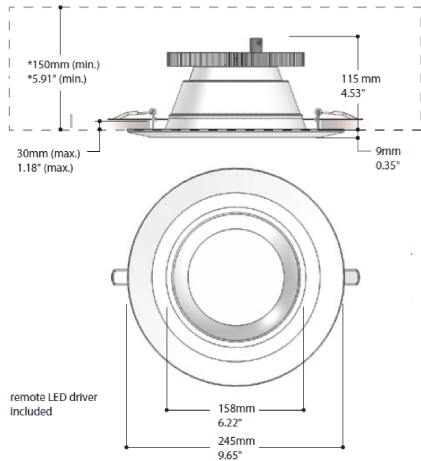


Installation Instructions for:

Meson refit alu matt satinized
 Art nr. : 46.412 t/m 46.416



Max dimensions:

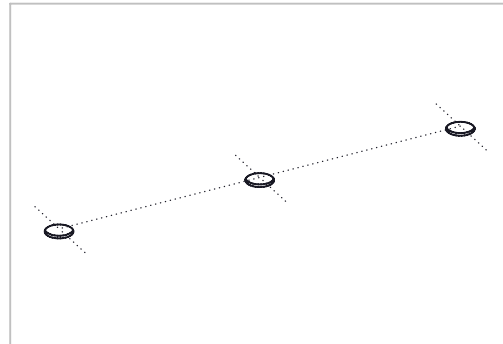


Approximately 200mm (7.9") minimum space around the luminaire is required to ensure optimal performance and long LED life cycle

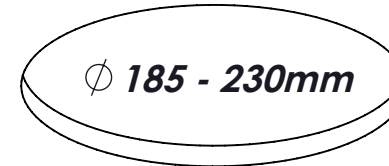
Warnings

- Luminaires may only be installed by an authorized specialist.
- Installation must always be performed according to instructions of the manufacturer and national regulations.
- Instruction for electric connections can be found on control gear.
- Be aware of the maximum dimensions between luminaires.
- When connecting be aware of the type of IP protection, this is only valid for the luminaire underneath the ceiling.
- This is a class II luminaire!
- Make sure that during installation the main power is always disconnected or switched off!

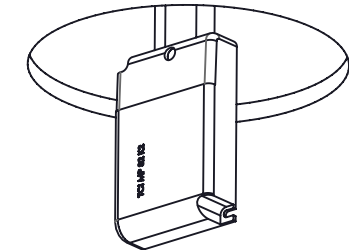
THE INFORMATION CONTAINED IN THIS DRAWING IS THE SOLE PROPERTY OF ATOMIS BV ANY REPRODUCTION IN PART OR WHOLE WITHOUT THE WRITTEN PERMISSION OF ATOMIS BV IS PROHIBITED



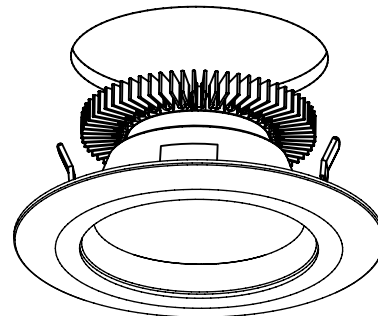
1. If applicable: mark mounting positions of various luminaires on the ceiling.



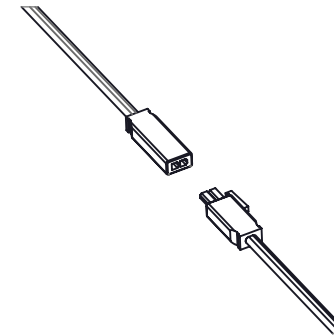
2. The Meson refit series is suitable for round openings of Φ 185 to 230 mm.



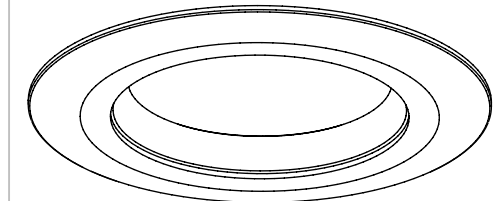
3. Place electronics onto the ceiling.



4. Mount luminaire by lifting the springs. Be aware of max. ceiling thickness of 30mm!



5. Connect plug between luminaire and control gear before connecting to mains!



6. Turn power on and test luminaire functionality.

Warning: Do not touch or clean optical part of luminaire

