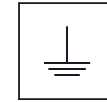
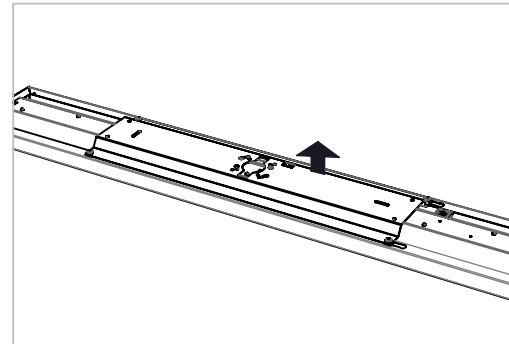
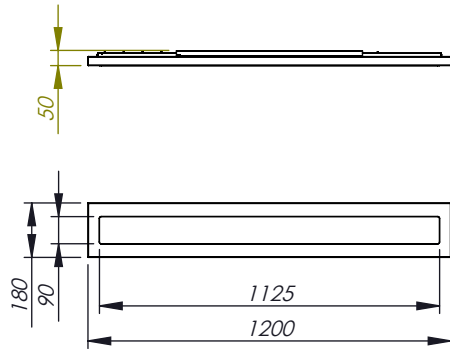


## Installation Instructions for:

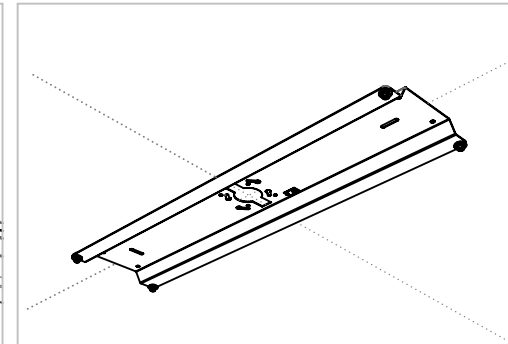
Fusion-C 180x1200 microprismatic  
Art nr. : 19.X-8X0P-C180x1200S



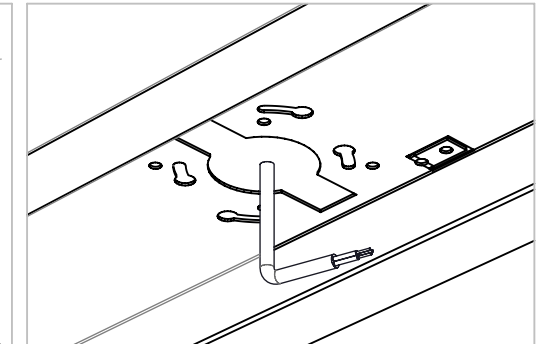
### Max dimensions:



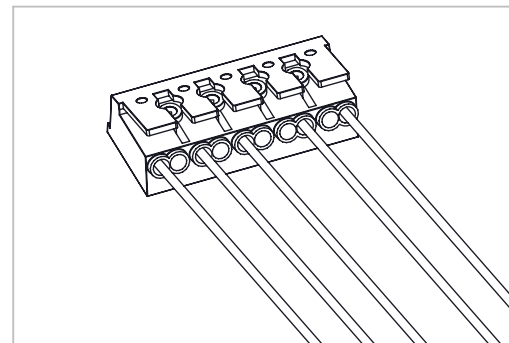
1. Remove ceiling plate from luminaire.



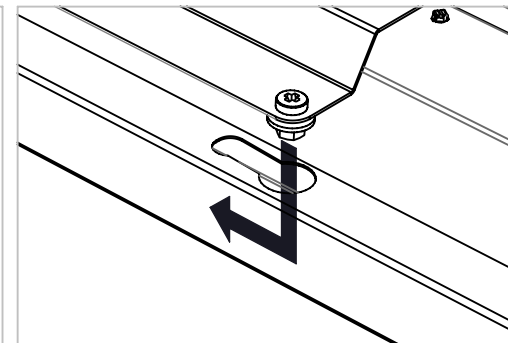
2. Align ceiling plates as desired on the ceiling and mark the mounting positions.



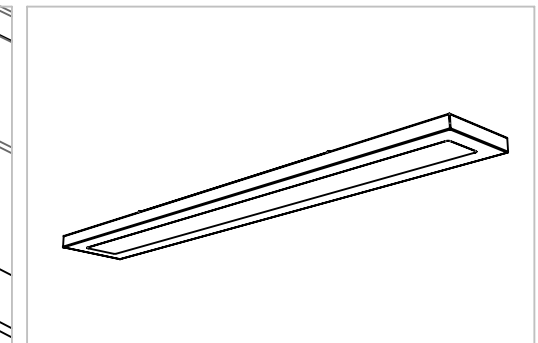
3. Mount ceiling plate on marked positions (make sure electronics are accessible).



4. Connect plug between luminaire and control gear before connecting to mains!



5. Align and lock the luminaire in place at all four corners.



6. Turn the power on and test luminaire functionality.

### Warnings

- Delicate luminaire: handle with care.
- Luminaires may only be installed by an authorized specialist.
- Installation must always be performed according to instructions of the manufacturer and national regulations.
- Make sure that during installation the main power is always disconnected or switched off.
- Instruction for electric connections can be found on control gear.
- It is advised that all luminaires in a project are mounted in the same orientation.
- Be aware of the maximum dimensions between luminaires.
- When connecting be aware of the type of IP protection, this is only valid for the luminaire underneath the ceiling.