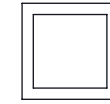
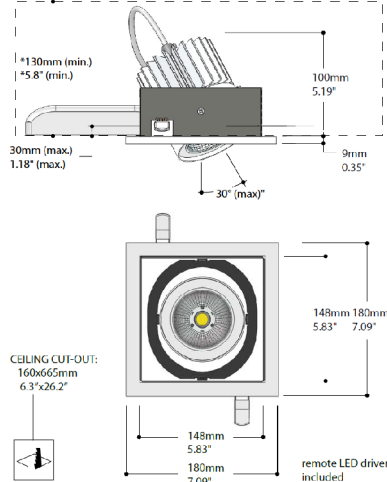


## Installation Instructions for:

Meson Square 180 Cardanic Spot  
 Art nr. : 45.310 t/m 45.328



### Max dimensions:

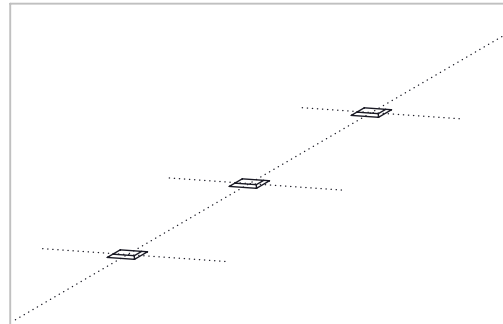


Approximately 200mm (7.9") minimum space around the luminaire is required to ensure optimal performance and long LED life cycle

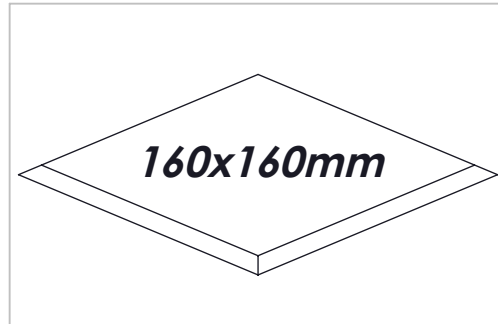
### Warnings

- Luminaires may only be installed by an authorized specialist.
- Installation must always be performed according to instructions of the manufacturer and national regulations.
- Instruction for electric connections can be found on control gear.
- Be aware of the maximum dimensions between luminaires.
- This is a class II luminaire!
- Make sure that during installation the main power is always disconnected or switched off!

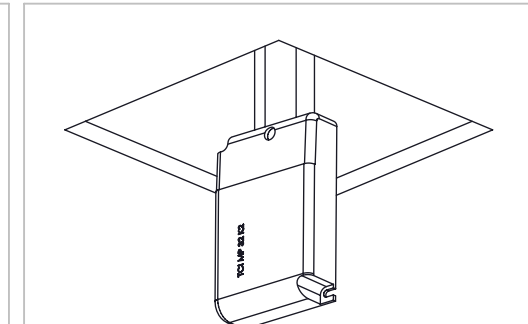
THE INFORMATION CONTAINED IN THIS DRAWING IS THE SOLE PROPERTY OF ATOMIS BV ANY REPRODUCTION IN PART OR WHOLE WITHOUT THE WRITTEN PERMISSION OF ATOMIS BV IS PROHIBITED



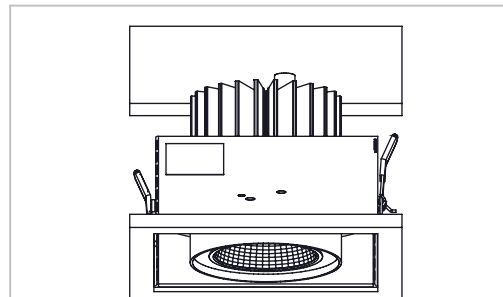
1. Mark mounting positions of various luminaires on the ceiling.



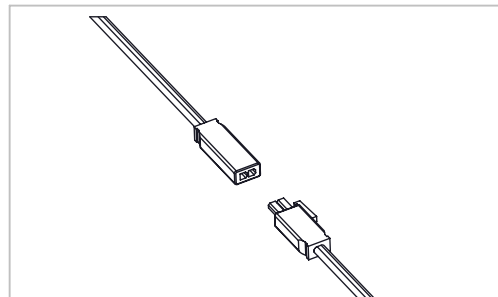
2. Cut a square opening of 160x160mm.



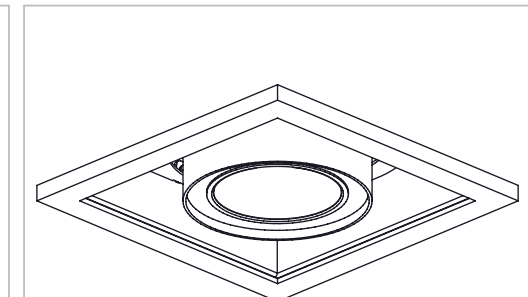
3. Place electronics onto the ceiling.



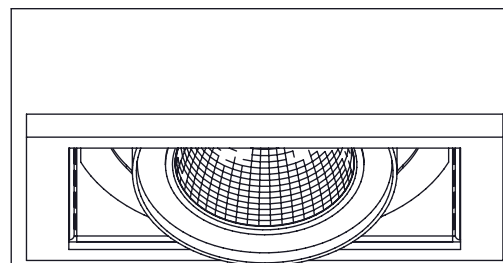
4. Mount luminaire by lifting the springs. Be aware of max. ceiling thickness of 30mm!



5. Connect plug between luminaire and control gear before connecting to mains!



6. Turn power on and test luminaire functionality.



7. Meson cardanic can be adjusted up to 30degr in every direction.

**Warning: Do not touch or clean optical part and LED of luminaire**

