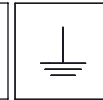
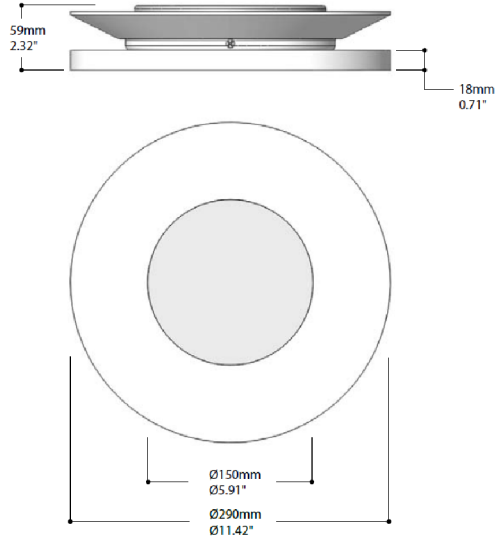


Installation Instructions for:

Corona Round 290
Art nr. : 21.305 t/m 21.318

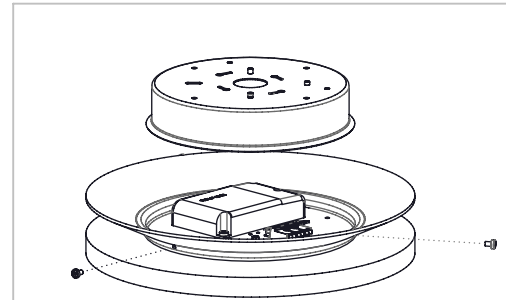


Max dimensions:

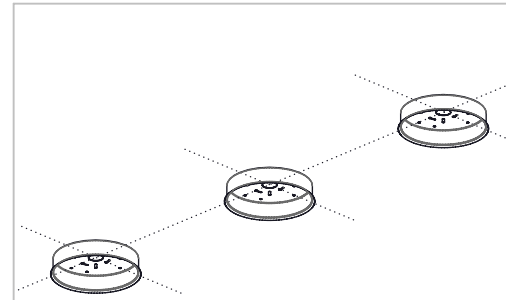


Warnings

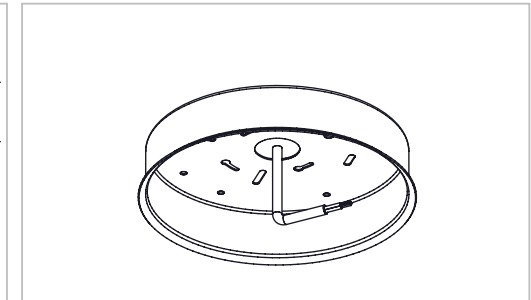
- Luminaires may only be installed by an authorized specialist.
- Installation must always be performed according to instructions of the manufacturer and national regulations.
- Instruction for electric connections can be found on control gear.
- Be aware of the maximum dimensions.
- Make sure that during installation the main power is always disconnected or switched off!



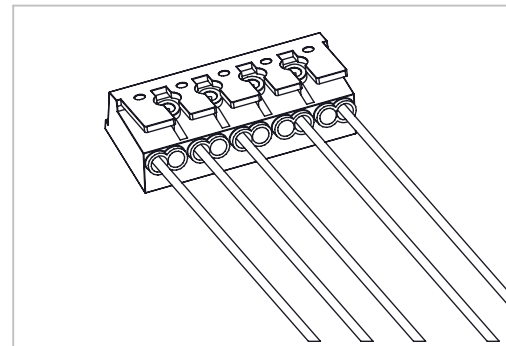
1. Unpack luminaire and remove ceiling plate by removing the three side screws.



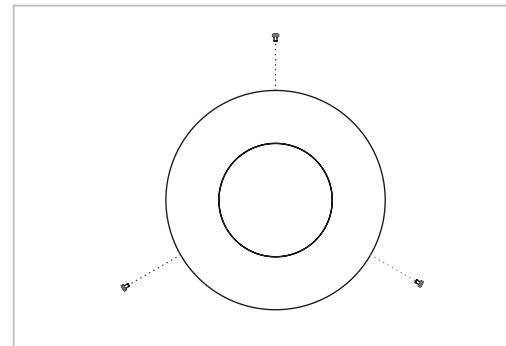
2. Align ceiling plates onto ceiling or wall and mark desired mounting positions.



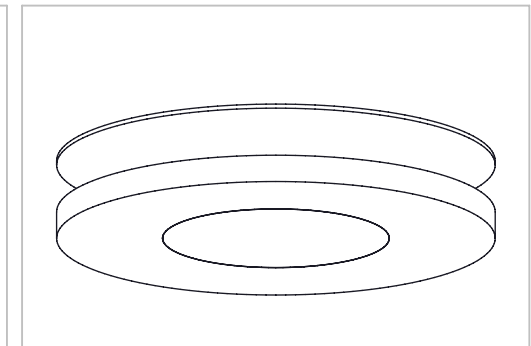
3. Mount ceiling plate on marked positions (make sure electronics can be reached).



4. Connect luminaire electrically according specifications on control gear and label.



5. Place luminaire careful over base plate and place three screws **by hand**.



6. Turn power on and test luminaire functionality.