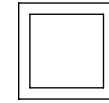
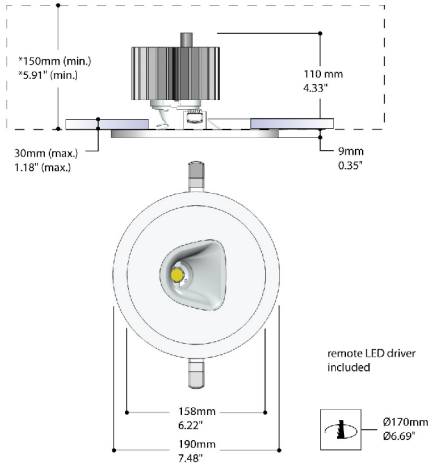


## Installation Instructions for:

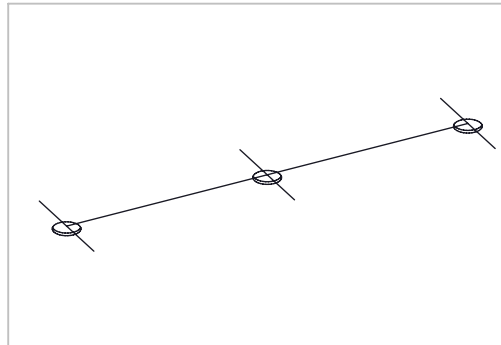
Meson Round 190 Wallwasher  
 Art nr. : 44.562 t/m 44.565



### Max dimensions:



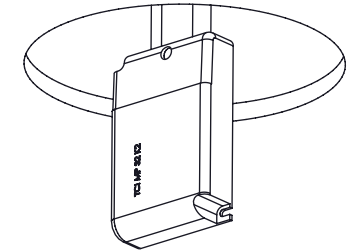
\*Approximately 200mm (7.9") minimum space around the luminaire is required to ensure optimal performance and long LED life cycle



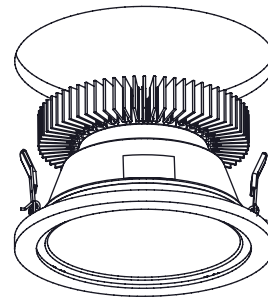
1. Mark mounting positions of various luminaires on the ceiling.



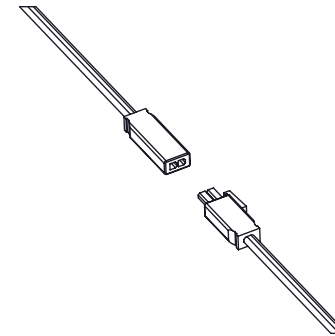
2. Cut a round opening of  $\phi$  170mm.



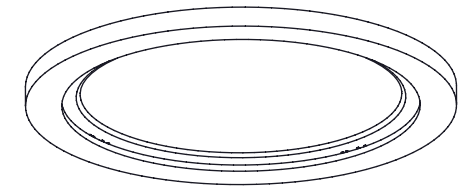
3. Place electronics onto the ceiling.



4. Mount luminaire by lifting the springs. Be aware of max. ceiling thickness of 30mm!



5. Connect plug between luminaire and control gear before connecting to mains!



6. Turn power on and test luminaire functionality.

### Warnings

- Luminaires may only be installed by an authorized specialist.
- Installation must always be performed according to instructions of the manufacturer and national regulations.
- Instruction for electric connections can be found on control gear.
- Be aware of the maximum dimensions between luminaires.
- When connecting be aware of the type of IP protection, this is only valid for the luminaire underneath the ceiling.
- This is a class II luminaire!
- Make sure that during installation the main power is always disconnected or switched off!

**Warning: Do not touch or clean optical part of luminaire**

