

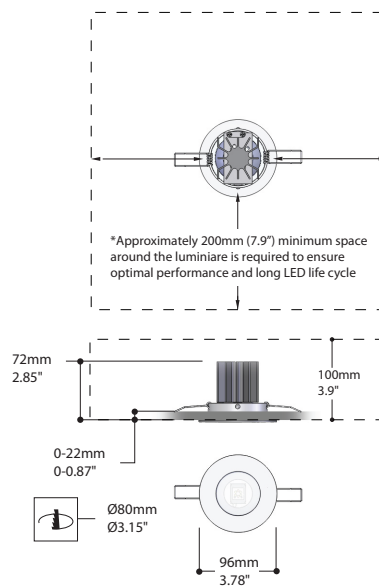
**Tension LED** is a range of stainless steel recessed downlighters. The luminaire is equipped with a high performance power LED, delivering warm white light with an excellent colour rendering index (CRI) of 87 by using the superior technique of mixing the light of green and red LEDs instead of creating white light with blue LEDs covered with a yellow phosphor. The lamp housing in a round or square shape is made of brushed stainless steel. Tension LED is provided with a hardened matte protection glass covering the LEDs. A wire-sprung attachment allows easy installation.

Due to constant improvements of our LED performances, the light output is constantly updated in the specification sheets on our website.

Design: Team Atomis, 2009



Tension LED round stainless steel			
code	W	lamp flux(lm)	ledd eff.
82.040	10.2	615	60,3 lm/W
44.804	Dimmable version 1-10V		
Tension LEDs has a correlated colour temperature (CCT) of 3000K			
Including remote LED driver			
Indoor use only			



indoor use only